

Part No: 2622-040G

Valves

Utility Ball Valve

Desc: 4 PVC UTILITY BALL VALVE SOC EPDM

MSRP: 365.13

Part Code: 214

Weight(lbs): 7.203

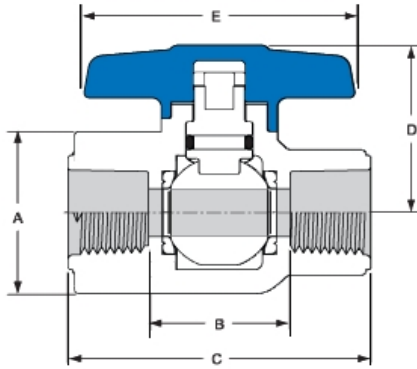
Weight(kg): 3.267

Weight(gm): 3267

Size: 4

Color: GRAY

Material: PVC



Type Utility
Connection Socket
O-Ring EPDM
Pressure Rating 150 psi @ 73° F
Color Gray

A = 6-11/16

B = 5- 1/8

C = 9- 3/16

D = 6-5/32

E = 9-1/8

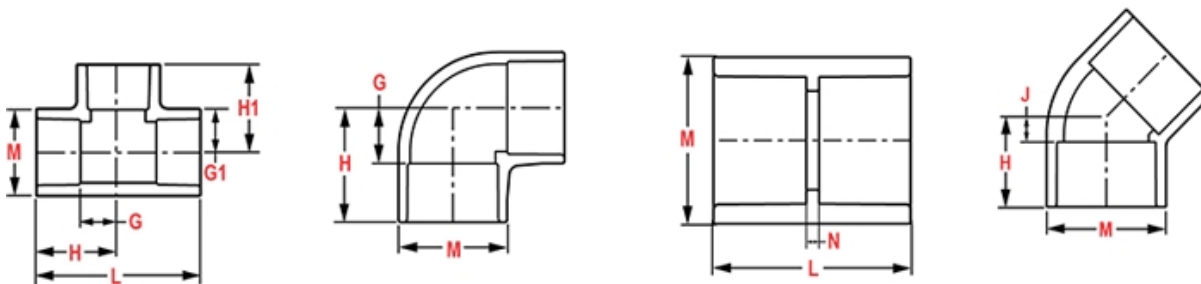
Cv = 3129

Values

Injection Molded Dimension References:

- G** = (LAYING LENGTH) intersection of center lines to bottom of socket/thread; 90° elbows, tees, crosses; ± 1/32 inch.
- H** = Intersection of center lines to face of fitting; 90° elbows tees, crosses; ± 1/32 inch.
- J** = Intersection of center lines to bottom of socket/thread; 45° elbows; ± 1/32 inch
- L** = Overall length of fittings; ± 1/16 inch.
- M** = Outside diameter of socket/thread hub; ± 1/16 inch.
- N** = Socket bottom to socket bottom; couplings; ± 1/16 inch.
- W** = Height of cap; ± 1/16 inch

Typical Molded Dimension References



The information printed here is based on current information & product design at the time of publication and is subject to change without notification. Spears® ongoing commitment to product improvement may result in some variation. No representation, guarantees or warranties of any kind are as to its accuracy, suitability for particular application or results to be obtained therefrom. For verification of technical data or additional information, please contact Spears® Technical Service Department :: WEST COAST : (818) 364-1611 - EAST COAST : (717) 938-9006