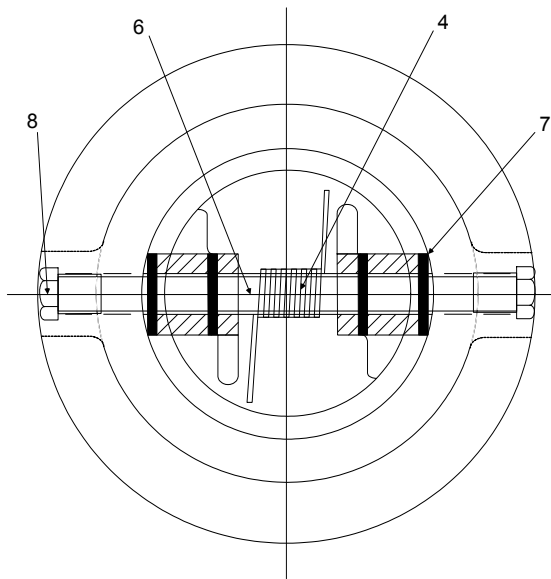


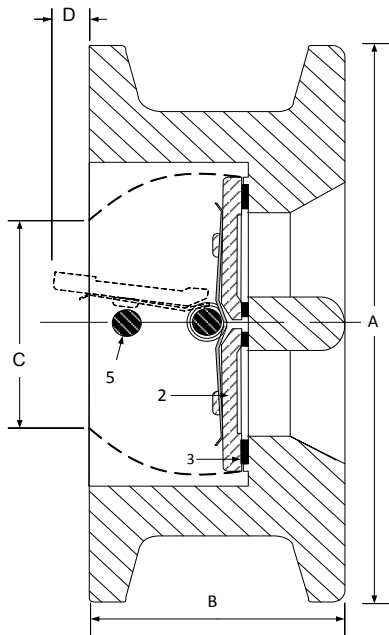
DRAWING NO.
AL 100000

BODY PRESSURE & TEMPERATURE RATINGS - NON SHOCK			
NOM. RATING	MEDIA	2" to 12"	14" to 24"
125# (WAFER)	W.O.G.	200 PSI @ 150°F	150 PSI @ 150°F



PARTS LIST		
ITEM	DESCRIPTION	MATERIAL
1	BODY	CAST IRON (ASTM A 126, CLASS B)
2	DISC	CAST STAINLESS STEEL (ASTM A 351, GRADE CF8)
3	SEAT*	BUNA-N
4	SPRING	STAINLESS STEEL (ASTM A 182, 316)
5	STOP PIN	STAINLESS STEEL (ASTM A 182, 304)
6	HINGE PIN	STAINLESS STEEL (ASTM A 182, 304)
7	THRUST WASHER	TEFLON
8	PLUG	CARBON STEEL (ASTM A 307, B)

*Other Seat Materials Available in Viton, EPDM, PTFE, and Neoprene.



PRODUCT NUMBER†	SIZE	DIMENSIONS				WEIGHT
		A	B	C*	D	
2DD1F-CI-34136	2	4-1/8	2-1/8	2-1/16	-	4
21/2DD1F-CI-34136	2-1/2	4-7/8	2-1/8	2-15/32	-	6
3DD1F-CI-34136	3	5-3/8	2-1/4	3-1/16	5/8	7
4DD1F-CI-34136	4	6-7/8	2-1/2	4	1	12
5DD1F-CI-34136	5	7-3/4	2-3/4	5	1-5/16	15
6DD1F-CI-34136	6	8-3/4	3	6-1/16	1-15/16	20
8DD1F-CI-34136	8	11	3-3/4	8	3-7/16	40
10DD1F-CI-34136	10	13-3/8	4-1/4	10	3-3/8	65
12DD1F-CI-34136	12	16-1/8	5-5/8	11-15/16	3-9/16	110
14DD1F-CI-34136	14	17-3/4	7-1/4	12-1/2	3-1/16	183
16DD1F-CI-34136	16	20-1/4	7-1/2	15	4-1/4	255
18DD1F-CI-34136	18	21-5/8	8	16-7/8	5-3/8	315
20DD1F-CI-34136	20	23-7/8	8-3/8	18-13/16	6-3/16	380
24DD1F-CI-34136	24	28-1/4	8-3/4	22-5/8	8-1/4	575
30DD1F-CI-34136	30	34-3/4	12	29-1/4	9-9/16	1070
36DD1F-CI-34136	36	41-1/4	15-1/4	35	12-5/16	1962
42DD1F-CI-34136	42	48	17	41	15	2800
48DD1F-CI-34136	48	54-1/2	20-5/8	47	16-3/4	3920

*Minimum companion flange bore.

Sizes 30" and larger fit **Series A** flanges.

†See "Style DD Product Number Configuration" for additional options.

APPLICABLE STANDARDS

• Design ASME B16.1	• MSS SP - 6
• Conform to API 594 & 6D	• MSS SP - 25
• Testing API 598	• MSS SP - 55

KECKLEY

3400 CLEVELAND SKOKIE ILLINOIS

DRAWING NO.
AL 100000

DIMENSIONAL ASSEMBLY

PART NO.
DD1F-CI-34136

125# Wafer Body

SCALE: NTS

Double Disc Check Valve

DATE: 07/01/2011

MAT'L: Cast Iron

REQ. ---

DR. BY DSF