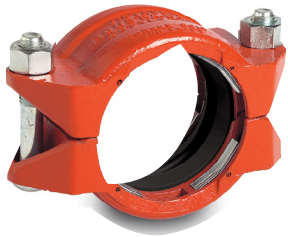


# Roust-A-Bout® Couplings

## Style 99



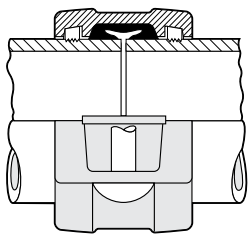
14.02



1 1/2 – 12" SIZES

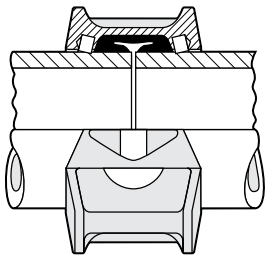


14 – 18" SIZES



Exaggerated for clarity

1 1/2 – 18" SIZES



Exaggerated for clarity

1"; 76.1 & 139.7 MM SIZES

### Product Description:

Style 99 Roust-A-Bout couplings are designed with heavy housings and grips to provide a strong component for joining plain and beveled end, including Schedule 80 steel pipe and Victaulic plain end fittings. Roust-A-Bout couplings are not designed for use on plastic pipe, pipe with brittle linings, cast or ductile iron pipe nor any pipe with a surface hardness greater than 150 Brinell.

Pipe is secured together by heavy jaws, which are set into the housing. All sizes are supplied with painted housings and plated nuts and bolts. Galvanized housings are available.

### WARNING

**Style 99 Roust-A-Bout couplings must be assembled with nuts tightened to full torque specifications.**

### Approvals/Listings:



See Victaulic Publication [10.10](#) for more details.

#### Job/Owner

System No.	
Location	

#### Contractor

Submitted By	
Date	

#### Engineer

Spec Section	
Paragraph	
Approved	
Date	



**Material Specifications:**

---

**Housing:** Ductile iron conforming to ASTM A-536, grade 65-45-12. Ductile iron conforming to ASTM A-395, grade 65-45-15, is available upon special request.

**Housing Coating:** Orange enamel.

- **Optional:** Hot dipped galvanized and others.

**Jaws:** Carbon steel, case hardened, electroplated, except sizes 1"; 76.1 mm and 139.7 mm, which utilize stainless steel, Type 416, hardened.

**Gaskets:** (specify choice)

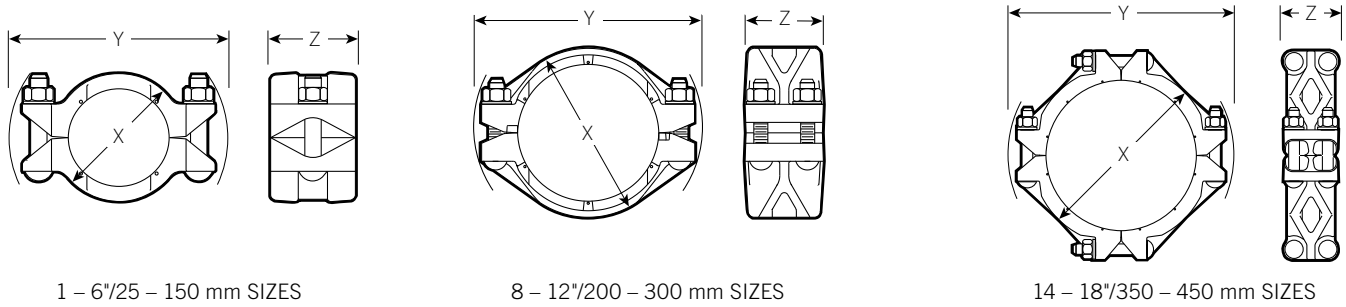
**Grade "E" EPDM:** EPDM (Green color code). Temperature range  $-30^{\circ}\text{F}$  to  $+230^{\circ}\text{F}$ / $-34^{\circ}\text{C}$  to  $+110^{\circ}\text{C}$ . Recommended for cold and hot water service within the specified temperature range plus a variety of dilute acids, oil-free air and many chemical services. UL classified in accordance with ANSI/NSF 61 for cold  $+86^{\circ}\text{F}$ / $+30^{\circ}\text{C}$  and hot  $+180^{\circ}\text{F}$ / $+82^{\circ}\text{C}$  potable water service. NOT RECOMMENDED FOR PETROLEUM SERVICES.

**Grade "T" nitrile:** Nitrile (Orange color code). Temperature range  $-20^{\circ}\text{F}$  to  $+180^{\circ}\text{F}$ / $-29^{\circ}\text{C}$  to  $+82^{\circ}\text{C}$ . Recommended for petroleum products, air with oil vapors, vegetable and mineral oils within the specified temperature range. Not recommended for hot water services over  $+150^{\circ}\text{F}$ / $+66^{\circ}\text{C}$  or for hot dry air over  $+140^{\circ}\text{F}$ / $+60^{\circ}\text{C}$ .

\* Services listed are General Service Recommendations only. It should be noted that there are services for which these gaskets are not recommended. Reference should always be made to the latest Victaulic Gasket Selection Guide (05.01) for specific gasket service recommendations and for a listing of services which are not recommended.

**Bolts/Nuts/Washers:** Heat-treated plated carbon steel, trackhead meeting the physical and chemical requirements of ASTM A-449 and physical requirements of ASTM A-183. The 6"/150 mm and larger sizes are supplied with hardened steel washers meeting ASTM F-436 Type 1 (Hot dipped galvanized steel).

**Dimensions:**



1 – 6"/25 – 150 mm SIZES

8 – 12"/200 – 300 mm SIZES

14 – 18"/350 – 450 mm SIZES

Nominal Size Inches mm	Actual Outside Diameter Inches mm	Max Work Press. psi kPa	Max. End Load Lbs. <sup>1</sup> N	Required Bolt Torque Lb· Ft. <sup>2</sup> N·m	3 Bolt/Nut No. – Size Inches	Dimensions Inches/mm			Aprx. Weight Lbs. kg
						X	Y	Z	
1 25	1.315 33.7	600 4130	800 3560	35 47.5	2 – 3/8 x 2	2.63 67	4.25 108	2.25 57	1.7 0.8
1 1/2 40	1.900 48.3	750 5175	2100 9345	60 81.4	2 – 1/2 x 2 1/2	3.25 83	5.50 140	2.88 73	3.6 1.6
2 50	2.375 60.3	750 5175	3300 14685	150 203.4	2 – 5/8 x 3 1/4	3.75 95	6.75 171	3.38 86	5.3 2.4
2 1/2 65	2.875 73.0	600 4130	3890 17310	150 203.4	2 – 5/8 x 3 1/4	4.25 108	7.13 181	3.38 86	5.7 2.5
76.1 mm	3.000 76.1	400 2700	2825 12500	95 128.8	2 – 1/2 x 2 3/4	4.75 121	6.25 159	2.75 70	4.4 2.0
3 80	3.500 88.9	600 4130	5770 25676	200 271.2	2 – 3/4 x 4 1/4	5.00 127	8.50 216	3.38 86	8.7 3.9
3 1/2 90	4.000 101.6	500 3450	6280 27946	200 271.2	2 – 3/4 x 4 1/4	5.50 140	9.25 235	3.63 92	10.6 4.8
4 100	4.500 114.3	450 3100	7155 31840	200 271.2	2 – 3/4 x 4 1/4	6.13 156	10.00 254	4.00 102	12.8 5.8
139.7 mm	5.500 139.7	250 1700	5940 26440	160 217.0	2 – 3/4 x 5	7.88 200	10.75 260	3.25 83	9.0 4.1
5 125	5.563 141.3	350 2400	8500 37825	250 339.0	2 – 7/8 x 5	7.25 184	11.38 289	4.38 111	17.3 7.8
6 150	6.625 168.3	300 2065	10340 46013	250 339.0	2 – 1 x 6 <sup>4</sup>	8.50 216	13.38 340	4.38 111	23.2 10.5
165.1 mm	6.500 165.1	300 2065	9955 44300	250 339.0	2 – 1 x 6 <sup>4</sup>	8.38 213	13.25 337	4.38 111	22.2 10.1
8 200	8.625 219.1	250 1700	14600 64970	250 339.0	4 – 7/8 x 5 <sup>4</sup>	10.88 276	14.38 365	5.00 127	37.2 16.9
10 250	10.750 273.0	250 1700	22700 101015	300 406.8	4 – 7/8 x 5 <sup>4</sup>	13.38 340	16.38 416	5.00 127	48.2 21.9
12 300	12.750 323.9	250 1700	31900 141955	350 474.6	4 – 1 x 6 1/2 <sup>4</sup>	15.50 394	19.63 499	5.13 130	60.0 27.2
14 350	14.000 355.6	200 1400	30800 137060	350 474.6	8 – 1 x 6 1/2 <sup>4</sup>	16.75 425	20.75 527	5.38 137	89.0 40.4
16 400	16.000 406.4	150 1000	30200 134390	350 474.6	8 – 1 x 6 1/2 <sup>4</sup>	19.00 483	22.63 575	5.38 137	105.0 47.6
18 450	18.000 457.0	150 1000	38200 169990	350 474.6	8 – 1 x 6 1/2 <sup>4</sup>	21.00 533	23.50 597	5.38 137	125.0 56.7

<sup>1</sup> Working Pressure and End Load are total, from all internal and external loads, based on coupling properly assembled, with bolts fully torqued to listed specifications, on plain end or beveled end standard weight (ANSI) steel pipe and Victaulic plain end fittings. Couplings are designed to be used with plain end pipe and Victaulic plain end fittings only.

<sup>2</sup> Bolt torque ratings shown must be applied at installation.

<sup>3</sup> Metric thread size bolts (plated) are available (color coded) for all coupling sizes upon request. Contact Victaulic for details.  
WARNING: Depressurize and drain the piping system before attempting to install, remove, or adjust any Victaulic piping products.

<sup>4</sup> Supplied with flat washers.  
WARNING: FOR ONE TIME FIELD TEST ONLY, the Maximum Joint Working Pressure may be increased to 1 1/2 times the figures shown.

**Pressure Ratings and End Loads Carbon Steel Pipe**

1		2	3	4	5	6
Nominal Size	Actual Outside Diameter	Pipe Wall Thickness		Req'd Bolt Torque	Maximum	
		inches mm	Schedule Number		Joint Working Pressure	Permiss. End Load
inches mm	inches mm	inches mm		Lb.Ft. N • m	PSI kPa	Lbs N
1 25	1.315 33.7	0.179 4.55	80	35 48	—	—
		0.133 3.38	40		600 4130	800 3560
		0.109 2.77	10		600 4130	800 3560
		0.065 1.65	5		400 2750	550 2450
1 1/2 40	1.900 48.3	0.200 5.08	80	60 81	750 5175	2100 9345
		0.145 3.68	40		750 5175	2100 9345
		0.109 2.77	10		600 4130	1700 7565
		0.065 1.65	5		400 2750	1100 4895
2 50	2.375 60.3	0.218 5.54	80	150 203	750 5175	3300 14685
		0.154 3.91	40		750 5175	3300 14685
		0.109 2.77	10		400 2750	1800 8010
		0.065 1.65	5		200 1375	900 4005
2 1/2 65	2.875 73.0	0.276 7.01	80	150 203	600 4130	3890 17310
		0.203 5.16	40		600 4130	3890 17310
		0.120 3.05	10		300 2065	1900 8455
		0.083 2.11	5		150 1035	1000 4450
3 80	3.500 88.9	0.300 7.62	80	200 271	600 4130	5770 25675
		0.216 5.49	40		600 4130	5770 25675
		0.120 3.05	10		225 1550	2160 9610
		0.083 2.11	5		125 860	1200 5340

Table continued over.

**Pressure Ratings and End Loads Carbon Steel Pipe**

1		2	3	4	5	6
Nominal Size	Actual Outside Diameter	Pipe Wall Thickness		Req'd Bolt Torque	Maximum	
		inches mm	Schedule Number		Joint Working Pressure	Permiss. End Load
inches mm	inches mm	inches mm	Schedule Number	Lb.Ft. N • m	PSI kPa	Lbs N
3 1/2 90	4.000 101.6	0.318 8.08	80	200 271	500 3450	6280 27945
		0.226 5.74	40		500 3450	6280 27945
		0.120 3.05	10		200 1375	2500 11125
		0.083 2.11	5		100 690	1250 5565
4 100	4.500 114.3	0.337 8.56	80	200 271	450 3100	7155 31840
		0.237 6.02	40		450 3100	7155 31840
		0.120 3.05	10		175 1200	2800 12460
		0.083 2.11	5		60 415	950 4230
5 125	5.563 141.3	0.375 9.53	80	250 339	350 2410	8500 37825
		0.258 6.55	40		350 2410	8500 37825
		0.134 3.40	10		150 1035	3600 16020
		0.109 2.77	5		75 515	1800 8010
6 150	6.625 168.3	0.432 10.97	80	250 339	300 2065	10340 46015
		0.280 7.11	40		300 2065	10340 46015
		0.134 3.40	10		100 690	3500 15575
		0.109 2.77	5		75 515	2600 11570
165.1 mm	6.500 165.1	0.250 6.35	—	250 339	300 2065	9955 44300
		0.200 5.08	—		175 1200	6000 26700
		0.150 3.81	—		100 690	3500 15575
8 200	8.625 219.1	0.322 8.18	40	250 339	250 1725	14600 64970
		0.277 7.04	30		200 1375	11700 52065
		0.148 3.76	10		100 690	6000 26700
		0.109 2.77	5		50 345	3000 13350

Table continued over.

**Pressure Ratings and End Loads Carbon Steel Pipe**

1		2	3	4	5	6
Nominal Size  inches mm	Actual Outside Diameter  inches mm	Pipe Wall Thickness		Req'd Bolt Torque  Lb.Ft. N • m	Maximum	
		inches mm	Schedule Number		Joint Working Pressure  PSI kPa	Permiss. End Load  Lbs N
10 250	10.750 273.0	0.365 9.27	40	300 407	250 1725	22700 101015
		0.307 7.80	30		175 1200	15900 70755
		0.165 4.19	10		75 515	6800 30260
		0.134 3.40	5		50 345	4500 20025
12 300	12.750 323.9	0.375 9.53	STD	350 475	250 1725	31900 141955
		0.330 8.38	30		150 1035	19100 84995
		0.180 4.57	10		100 690	12700 56515
		0.165 4.19	5		75 515	9500 42275
14 350	14.000 355.6	0.375 9.53	STD	350 475	200 1375	30800 137060
16 400	16.000 406.4	0.375 9.53	STD	350 475	150 1035	30200 134390

COLUMN 1: Victaulic couplings are identified by nominal pipe size.

COLUMN 2: Nominal pipe wall thickness.

COLUMN 3: Pipe wall thickness schedule as established in ANSI Standard B36, 10-70.

COLUMN 4: Bolt torque required for installing Victaulic plain end couplings to achieve pressure ratings listed in Column 5 and Permissible Maximum End Loads listed in Column 6.

TORQUE RATINGS MUST BE APPLIED AT INSTALLATION.

COLUMN 5: Maximum line pressure, including surge, to which a joint should be subjected, based on couplings assembled to full torque specifications on plain end or beveled end standard weight steel pipe and/or Victaulic plain end fittings. Working pressure ratings are based on pipe prepared in accordance with Victaulic specifications.

COLUMN 6: Maximum end load from all internal and/or external forces to which the joint should be subjected based on couplings assembled to full torque specifications.

NOTE: Roust-A-Bout couplings, when sufficiently pressurized, will allow pipe to separate slightly as grips set into pipe. For properly assembled and torqued couplings, this separation should not exceed 1/4" / 6.4 mm. This should be considered for installations in tightly confined areas. Style 99 couplings are not designed to provide linear or angular movement.

ROUST-A-BOUT STYLE 99 COUPLINGS ARE DESIGNED FOR USE WITH PLAIN END OR BEVELED END PIPE AND VICTAULIC PLAIN END FITTINGS ONLY.

WARNING: FOR ONE TIME FIELD TEST ONLY, the Maximum Joint Working Pressure may be increased to 1½ times the figures shown.

**Pressure Ratings and End Loads Stainless Steel Pipe**

1		2	3	4	5	6
Nominal Size	Actual Outside Diameter	Pipe Wall Thickness		Req'd Bolt Torque	Maximum	
		inches mm	Schedule Number		Joint Working Pressure	Permiss. End Load
inches mm	inches mm	inches mm		Lb.Ft. N • m	PSI kPa	Lbs N
1 33.4	1.315 33.7	0.133 3.38	40	35 48	600 4130	800 3560
		0.109 2.77	10	35 48	400 2750	550 2450
		0.065 1.65	5	35 48	250 1725	350 1555
1 1/2 48.3	1.900 48.3	0.145 3.56	40	60 81	500 3450	1.400 6230
		0.109 2.77	10	60 81	400 2750	1.100 4895
		0.065 1.65	5	N/R	N/R	N/R
2 60.3	2.375 60.3	0.154 3.91	40	150 203	500 3450	2.200 9790
		0.109 2.77	10	150 203	400 2750	1.800 8010
		0.065 1.65	5	N/R	N/R	N/R
2 1/2 73.0	2.875 73.0	0.203 5.16	40	150 203	400 2750	2.500 11125
		0.120 5.16	10	150 203	250 1725	1.500 6675
		0.083 2.11	5	N/R	N/R	N/R
3 88.9	3.500 88.9	0.216 5.49	40	200 271	400 2750	3.800 16910
		0.120 3.05	10	200 271	200 1375	1.900 8455
		0.083 2.11	5	N/R	N/R	N/R
3 1/2 101.6	4.000 101.6	0.226 5.74	40	200 271	300 2065	3.700 16465
		0.120 3.05	10	200 271	150 1035	1.900 8455
		0.083 2.11	5	N/R	N/R	N/R
4 114.3	4.500 114.3	0.237 6.02	40	200 271	250 1725	3.900 17355
		0.120 3.05	10	200 271	80 550	1.300 5785
		0.083 2.11	5	N/R	N/R	N/R
5 141.3	5.563 141.3	0.258 6.55	40	250 339	200 1375	4.800 21360
		0.134 3.40	10	250 339	75 510	1.800 8010
		0.109 2.77	5	N/R	N/R	N/R

Table continued over.

**Pressure Ratings and End Loads Stainless Steel Pipe**

1		2	3	4	5	6
Nominal Size	Actual Outside Diameter	Pipe Wall Thickness		Req'd Bolt Torque	Maximum	
		inches mm	Schedule Number		Joint Working Pressure	Permiss. End Load
inches mm	inches mm	inches mm		Lb.Ft. N • m	PSI kPa	Lbs N
6 168.3	6.625 168.3	0.280 7.11	40	250 339	200 1375	6.800 30260
		0.134 3.40	10	250 339	75 515	2.600 11570
		0.109 2.77	5	N/R	N/R	N/R
165.1 mm	6.500 165.1	0.280 7.11	40	250 339	200 1375	6.800 30260
		0.134 3.40	10	250 339	75 515	2.600 11570
		0.109 2.77	5	N/R	N/R	N/R
8 219.1	8.625 219.1	0.322 8.18	40	250 339	200 1375	11.000 48950
		0.148 3.76	10	250 339	75 515	4.400 19580
		0.109 2.77	5	250 339	25 170	1.460 6495
10 273.0	10.750 273.0	0.365 9.27	40	300 407	100 690	9.000 40050
		0.165 4.19	10	300 407	50 345	4.500 20025
		0.134 3.40	5	300 407	25 170	2.250 10010
12 323.9	12.750 323.9	0.406 10.31	40	350 475	100 690	12.750 56735
		0.180 4.67	10	350 475	50 345	6.400 28480
		0.156 3.96	5	350 475	25 170	3.200 14240

NR = Not recommended

+ Contact Victaulic for details.

COLUMN 1: Victaulic couplings are identified by nominal pipe size.

COLUMN 2: Nominal pipe wall thickness.

COLUMN 3: Pipe wall thickness schedule as established in ANSI Standard B36, 10-70.

COLUMN 4: Bolt torque required for installing Victaulic plain end couplings to achieve pressure ratings listed in Column 5 and Permissible Maximum End Loads listed in Column 6.

TORQUE RATINGS MUST BE APPLIED AT INSTALLATION.

COLUMN 5: Maximum line pressure, including surge, to which a joint should be subjected, based on couplings assembled to **full torque specifications** on plain end or beveled end standard weight steel pipe and/or Victaulic plain end fittings. Working pressure ratings are based on pipe prepared in accordance with Victaulic specifications.

COLUMN 6: Maximum end load from all internal and/or external forces to which the joint should be subjected based on couplings assembled to full torque specifications.

**NOTE:** Roust-A-Bout couplings, when sufficiently pressurized, will allow pipe to separate slightly as grips set into pipe. For properly assembled and torqued couplings, this separation should not exceed ¼"/6.4 mm). This should be considered for installations in tightly confined areas. Style 99 couplings are not designed to provide linear or angular movement.

ROUST-A-BOU STYLE 99 COUPLINGS ARE DESIGNED FOR USE WITH PLAIN END OR BEVELED END PIPE AND VICTAULIC PLAIN END FITTINGS ONLY.

WARNING: FOR ONE TIME FIELD TEST ONLY, the Maximum Joint Working Pressure may be increased to 1½ times the figures shown.



**Pressure Ratings and End Loads Aluminum Pipe\***

1		2	3	4	5	6
Nominal Size	Actual Outside Diameter	Pipe Wall Thickness		Req'd Bolt Torque	Maximum	
		inches mm	Schedule Number		Joint Working Pressure	Permiss. End Load
inches mm	inches mm	inches mm		Lb.Ft. N • m	PSI kPa	Lbs N
1 25	1.315 33.7	0.179 4.55	80	N/R	N/R	N/R
		0.133 3.38	40	35 48	600 4130	800 3560
		0.109 2.77	10	35 48	300 2065	400 1780
		0.065 1.65	5	35 48	100 690	135 601
1 1/2 40	1.900 48.3	0.200 5.08	80	60 81	500 3450	1400 6230
		0.145 3.56	40	60 81	400 2760	1100 4895
		0.109 2.77	10	60 81	300 2065	825 3671
		0.065 1.65	5	N/R	N/R	N/R
2 50	2.375 60.3	0.218 5.54	80	150 203	400 2760	1800 8010
		0.154 3.91	40	150 203	300 2065	1300 5785
		0.109 2.77	10	150 203	200 1380	900 4005
		0.065 1.65	5	N/R	N/R	N/R
2 1/2 65	2.875 73.0	0.276 7.01	80	150 203	350 2415	2200 9790
		0.203 5.16	40	150 203	275 1895	1725 7676
		0.120 5.16	10	150 203	150 1035	1000 4450
		0.083 2.11	5	N/R	N/R	N/R
3 80	3.500 88.9	0.300 7.62	80	200 271	300 2065	2880 12816
		0.216 5.49	40	200 271	200 1380	1920 8544
		0.120 3.05	10	200 271	100 690	960 4272
		0.083 2.11	5	N/R	N/R	N/R

Table continued over.

**Pressure Ratings and End Loads Aluminum Pipe\***

1		2	3	4	5	6
Nominal Size	Actual Outside Diameter	Pipe Wall Thickness		Req'd Bolt Torque	Maximum	
		inches mm	Schedule Number		Joint Working Pressure	Permiss. End Load
inches mm	inches mm	inches mm		Lb.Ft. N • m	PSI kPa	Lbs N
3 1/2 90	4.000 101.6	0.318 8.08	80	200 271	250 1725	3100 13795
		0.226 5.74	40	200 271	200 1380	2500 11125
		0.120 3.05	10	200 271	100 690	1250 5563
		0.083 2.11	5	N/R	N/R	N/R
4 100	4.500 114.3	0.337 8.56	80	200 271	200 1380	3200 14240
		0.237 6.02	40	200 271	150 1035	2400 10680
		0.120 3.05	10	200 271	50 345	800 3560
		0.083 2.11	5	N/R	N/R	N/R
5 125	5.563 141.3	0.375 9.53	80	250 339	150 1035	3600 16020
		0.258 6.55	40	250 339	100 690	2400 10680
		0.134 3.40	10	250 339	50 345	1200 5340
		0.109 2.77	5	N/R	N/R	N/R
6 150	6.625 168.3	0.432 10.97	80	250 339	150 1035	5200 23140
		0.280 7.11	40	250 339	100 690	3500 15575
		0.134 3.40	10	250 339	50 345	1750 7788
		0.109 2.77	5	250 339	35 240	1225 5451
8 200	8.625 219.1	0.322 8.18	40	250 339	150 1035	9000 40050
		0.277 7.04	30	250 339	100 690	6000 26700
		0.250 6.35	20	250 339	75 515	4500 20025
		0.148 3.76	10	250 339	50 345	3000 13350

Table continued over.

**Pressure Ratings and End Loads Aluminum Pipe\***

1		2	3	4	5		6
Nominal Size	Actual Outside Diameter	Pipe Wall Thickness		Req'd Bolt Torque	Maximum		Permiss. End Load
		inches mm	Schedule Number		Joint Working Pressure		
10 250	10.750 273.0	0.356 9.27	40	300 407	100 690	9000 40050	
		0.307 7.80	30	300 407	75 515	6300 28035	
		0.250 6.35	20	300 407	50 345	4500 20025	
		0.165 4.19	10	300 407	25 172	2250 10013	
12 300	12.750 323.9	0.406 10.31	40	300 407	100 690	12800 56960	
		0.330 8.38	30	300 407	75 515	9500 42275	
		0.250 6.35	20	300 407	50 345	6000 26700	
		0.180 4.67	10	300 407	25 172	3150 14018	

\* Aluminum Pipe – Alloy 6063-T6 or 6061-T6 in Schedule 80 and 40; Alloy 6063-T6 in Schedule 30, 20, 10 and 5.

NR = Not recommended

COLUMN 1: Victaulic couplings are identified by nominal pipe size.

COLUMN 2: Nominal pipe wall thickness.

COLUMN 3: Pipe wall thickness schedule as established in ANSI Standard B36, 10-70.

COLUMN 4: Bolt torque required for installing Victaulic plain end couplings to achieve pressure ratings listed in Column 5 and Permissible Maximum End Loads listed in Column 6.

TORQUE RATINGS MUST BE APPLIED AT INSTALLATION.

COLUMN 5: Maximum line pressure, including surge, to which a joint should be subjected, based on couplings assembled to **full torque specifications** on plain end or beveled end standard weight steel pipe and/or Victaulic plain end fittings. Working pressure ratings are based on pipe prepared in accordance with Victaulic specifications.

COLUMN 6: Maximum end load from all internal and/or external forces to which the joint should be subjected based on couplings assembled to full torque specifications.

**NOTE:** Roust-A-Bout couplings, when sufficiently pressurized, will allow pipe to separate slightly as grips set into pipe. For properly assembled and torqued couplings, this separation should not exceed ¼"/6.4 mm. This should be considered for installations in tightly confined areas. Style 99 couplings are not designed to provide linear or angular movement.

ROUST-A-BOUT STYLE 99 COUPLINGS ARE DESIGNED FOR USE WITH PLAIN END OR BEVELED END PIPE AND VICTAULIC PLAIN END FITTINGS ONLY.

WARNING: FOR ONE TIME FIELD TEST ONLY, the Maximum Joint Working Pressure may be increased to 1½ times the figures shown.

**Installation**

Reference should always be made to the [I-100 Victaulic Field Installation Handbook](#) for the product you are installing. Handbooks are included with each shipment of Victaulic products for complete installation and assembly data, and are available in PDF format on our website at [www.victaulic.com](http://www.victaulic.com).

**Warranty**

Refer to the Warranty section of the current Price List or contact Victaulic for details.

**Note**

This product shall be manufactured by Victaulic or to Victaulic specifications. All products to be installed in accordance with current Victaulic installation/assembly instructions. Victaulic reserves the right to change product specifications, designs and standard equipment without notice and without incurring obligations.

**Trademarks**

Victaulic® is a registered trademark of Victaulic Company.

