

Part No: 847-030

Schedule 80 PVC & CPVC

Cap/Plug

Desc: 3 PVC CAP SOC SCH80

MSRP: 104.77

Part Code: 080

Weight(lbs): 0.705

Weight(kg): 0.32

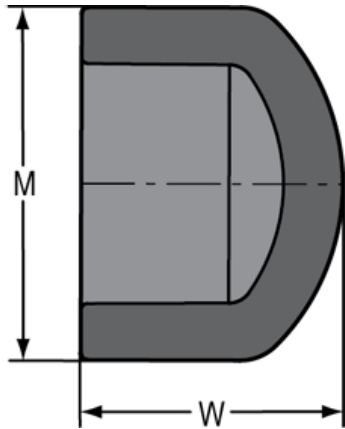
Weight(gm): 320

Size: 3"

Color: GRAY

Material: PVC

Connection Socket (Cap)



$M = 4 - 5/32$

$W = 3 - 1/32$

Injection Molded Dimension References:

G = (LAYING LENGTH) intersection of center lines to bottom of socket/thread; 90° elbows, tees, crosses; ± 1/32 inch.

H = Intersection of center lines to face of fitting; 90° elbows tees, crosses; ± 1/32 inch.

J = Intersection of center lines to bottom of socket/thread; 45° elbows; ± 1/32 inch

L = Overall length of fittings; ± 1/16 inch.

M = Outside diameter of socket/thread hub; ± 1/16 inch.

N = Socket bottom to socket bottom; couplings; ± 1/16 inch.

W = Height of cap; ± 1/16 inch

Typical Molded Dimension References

