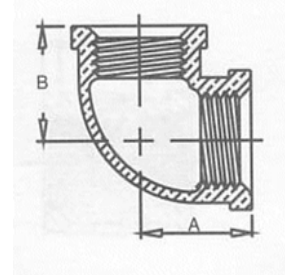


DIMENSIONAL SPECIFICATIONS

LEADED IMPORT BRASS FITTINGS** 125 LB.

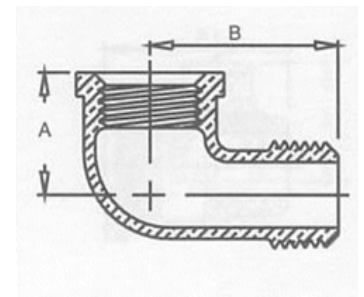
90 DEGREE ELBOW

Part #	Size (IN.)	Approx. Net WT. (LB.)	A	B
X101-02	1/8	0.07	0.54	0.54
X101-04	1/4	0.13	0.71	0.71
X101-06	3/8	0.17	0.82	0.82
X101-08	1/2	0.22	1.01	1.01
X101-12	3/4	0.37	1.18	1.18
X101-16	1	0.52	1.43	1.43
X101-20	1-1/4	0.96	1.69	1.69
X101-24	1-1/2	1.16	1.84	1.84
X101-32	2	2.07	2.12	2.12
X101-40	2-1/2	3.83	2.70	2.70
X101-48	3	4.62	3.08	3.08
X101-64	4	7.70	3.79	3.79



90 DEGREE STREET ELBOW

Part #	Size (IN.)	Approx. Net WT. (LB.)	A	B
X103-02	1/8	0.06	0.55	0.92
X103-04	1/4	0.11	0.72	1.11
X103-06	3/8	0.17	0.83	1.24
X103-08	1/2	0.21	1.03	1.51
X103-12	3/4	0.31	1.19	1.66
X103-16	1	0.63	1.43	1.98
X103-20	1-1/4	1.03	1.71	2.26
X103-24	1-1/2	1.27	1.87	2.46
X103-32	2	2.09	2.14	2.98
X103-40	2-1/2	4.05	2.74	3.92
X103-48	3	6.38	3.10	4.45



****WARNING:** This product contains chemicals known to the state of California to cause cancer and birth defects or other reproductive harm.
****NOTE:** This product is not for use in potable water applications and contains a chemical known to cause birth defects or reproductive harm.

MERIT BRASS

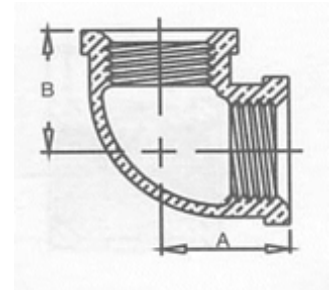
DIRECTING THE FLOW OF *Quality*

DIMENSIONAL SPECIFICATIONS

LEADED IMPORT BRASS FITTINGS** 125 LB.

90 DEGREE REDUCING ELBOW

Part #	Size (IN.)	Approx. Net WT. (LB.)	A	B
X101-0402	1/4 X 1/8	0.10	0.65	0.60
X101-0604	3/8 X 1/4	0.15	0.75	0.75
X101-0804	1/2 X 1/4	0.19	1.78	1.69
X101-0806	1/2 X 3/8	0.23	0.93	0.90
X101-1204	3/4 X 1/4	0.26	1.00	1.00
X101-1206	3/4 X 3/8	0.30	0.97	0.97
X101-1208	3/4 X 1/2	0.31	1.08	1.11
X101-1608	1 X 1/2	0.53	1.20	1.24
X101-1612	1 X 3/4	0.59	1.30	1.31
X101-2008	1-1/4 X 1/2	0.61	1.25	1.38
X101-2016	1-1/4 X 1	0.81	1.52	1.60
X101-2412	1-1/2 X 3/4	0.83	1.50	1.75
X101-2416	1-1/2 X 1	0.98	1.55	1.72
X101-2420	1-1/2 X 1-1/4	1.22	1.72	1.81
X101-3208	2 X 1/2	1.10	1.17	2.92
X101-3216	2 X 1	1.30	1.56	1.94
X101-3220	2 X 1-1/4	1.51	1.75	2.06
X101-3224	2 X 1-1/2	1.69	1.89	2.07
X101-4032	2-1/2 X 2	2.99	2.39	2.60
X101-4832	3 X 2	3.63	2.50	2.88
X101-4840	3 X 2-1/2	4.09	2.83	2.99



**WARNING: This product contains chemicals known to the state of California to cause cancer and birth defects or other reproductive harm.
**NOTE: This product is not for use in potable water applications and contains a chemical known to cause birth defects or reproductive harm.

**MERIT
BRASS**

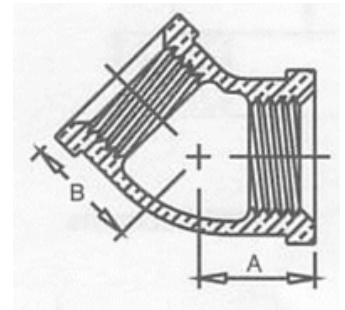
DIRECTING THE FLOW OF *Quality*

DIMENSIONAL SPECIFICATIONS

LEADED IMPORT BRASS FITTINGS** 125 LB.

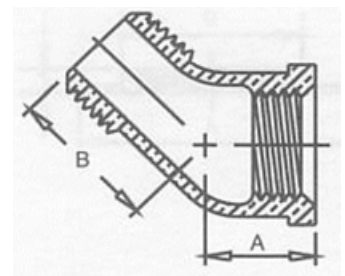
45 DEGREE ELBOW

Part #	Size (IN.)	Approx. Net WT. (LB.)	A	B
X102-02	1/8	0.07	0.43	0.43
X102-04	1/4	0.11	0.55	0.55
X102-06	3/8	0.12	0.63	0.63
X102-08	1/2	0.25	0.79	0.79
X102-12	3/4	0.34	0.91	0.91
X102-16	1	0.54	1.07	1.07
X102-20	1-1/4	0.90	1.23	1.23
X102-24	1-1/2	1.03	1.31	1.31
X102-32	2	1.54	1.47	1.47
X102-40	2-1/2	3.30	1.89	1.89
X102-48	3	3.52	2.18	2.18



45 DEGREE STREET ELBOW

Part #	Size (IN.)	Approx. Net WT. (LB.)	A	B
X103A-04	1/4	0.09	0.56	0.88
X103A-06	3/8	0.14	0.63	0.92
X103A-08	1/2	0.29	0.78	1.06
X103A-12	3/4	0.31	0.89	1.23
X103A-16	1	0.52	1.06	1.40
X103A-20	1-1/4	0.77	1.22	1.64
X103A-24	1-1/2	0.97	1.30	1.80
X103A-32	2	2.04	1.45	2.14



**WARNING: This product contains chemicals known to the state of California to cause cancer and birth defects or other reproductive harm.

**NOTE: This product is not for use in potable water applications and contains a chemical known to cause birth defects or reproductive harm.

**MERIT
BRASS**

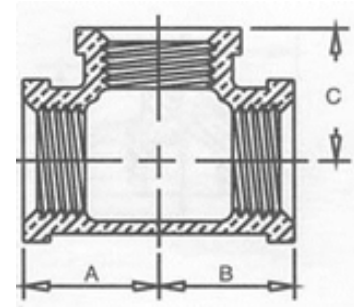
DIRECTING THE FLOW OF *Quality*

DIMENSIONAL SPECIFICATIONS

LEADED IMPORT BRASS FITTINGS** 125 LB.

TEE

Part #	Size (IN.)	Approx. Net WT. (LB.)	A	B	C
X106-02	1/8	0.09	0.54	0.54	0.54
X106-04	1/4	0.16	0.71	0.71	0.71
X106-06	3/8	0.24	0.82	0.82	0.82
X106-08	1/2	0.29	1.01	1.01	1.01
X106-12	3/4	0.44	1.18	1.18	1.18
X106-16	1	0.77	1.43	1.43	1.43
X106-20	1-1/4	1.18	1.69	1.69	1.69
X106-24	1-1/2	1.56	1.84	1.84	1.84
X106-32	2	2.62	2.12	2.12	2.12
X106-40	2-1/2	5.28	2.70	2.70	2.70
X106-48	3	5.98	3.08	3.08	3.08
X106-64	4	10.78	3.79	3.79	3.79



****WARNING:** This product contains chemicals known to the state of California to cause cancer and birth defects or other reproductive harm.

****NOTE:** This product is not for use in potable water applications and contains a chemical known to cause birth defects or reproductive harm.

MERIT BRASS

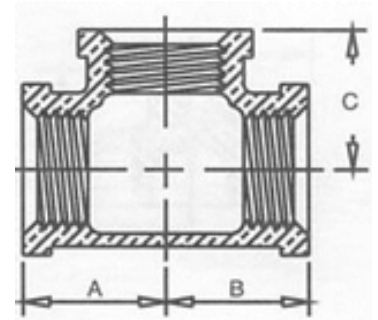
DIRECTING THE FLOW OF *Quality*

DIMENSIONAL SPECIFICATIONS

LEADED IMPORT BRASS FITTINGS** 125 LB.

REDUCING TEE

Part #	Size (IN.)	Approx. Net WT. (LB.)	A	B	C
X106-040402	1/4 X 1/4 X 1/8	0.14	0.65	0.65	0.60
X106-060604	3/8 X 3/8 X 1/4	0.21	0.75	0.75	0.78
X106-080408	1/2 X 1/4 X 1/2	0.28	0.93	0.87	0.93
X106-080806	1/2 X 1/2 X 3/8	0.32	0.93	0.93	0.90
X106-080812	1/2 X 1/2 X 3/4	0.47	1.11	1.11	1.08
X106-120808	3/4 X 1/2 X 1/2	0.43	1.08	1.01	1.11
X106-120812	3/4 X 1/2 X 3/4	0.49	1.18	1.11	1.18
X106-121204	3/4 X 3/4 X 1/4	0.38	1.00	1.00	1.00
X106-121206	3/4 X 3/4 X 3/8	0.46	1.00	1.00	1.00
X106-121208	3/4 X 3/4 X 1/2	0.53	1.08	1.08	1.11
X106-121216	3/4 X 3/4 X 1	0.73	1.31	1.31	1.30
X106-160808	1 X 1/2 X 1/2	0.43	1.31	1.22	1.31
X106-160812	1 X 1/2 X 3/4	0.49	1.30	1.11	1.31
X106-160816	1 X 1/2 X 1	0.73	1.43	1.24	1.43
X106-161208	1 X 3/4 X 1/2	0.67	1.20	1.08	1.24
X106-161212	1 X 3/4 X 3/4	0.70	1.30	1.08	1.31
X106-161606	1 X 1 X 3/8	0.63	1.12	1.12	1.13
X106-161608	1 X 1 X 1/2	0.73	1.20	1.20	1.24
X106-161612	1 X 1 X 3/4	0.83	1.30	1.30	1.31
X106-161620	1 X 1 X 1-1/4	0.97	1.60	1.60	1.52
X106-200820	1-1/4 X 1/2 X 1-1/4	1.05	1.69	1.40	1.69
X106-202008	1-1/4 X 1-1/4 X 1/2	1.05	1.29	1.29	1.41
X106-202012	1-1/4 X 1-1/4 X 3/4	1.04	1.39	1.39	1.48
X106-202016	1-1/4 X 1-1/4 X 1	1.12	1.52	1.52	1.60
X106-240824	1-1/2 X 1/2 X 1-1/2	1.11	1.81	1.56	1.81



**WARNING: This product contains chemicals known to the state of California to cause cancer and birth defects or other reproductive harm.
 **NOTE: This product is not for use in potable water applications and contains a chemical known to cause birth defects or reproductive harm.

**MERIT
BRASS**

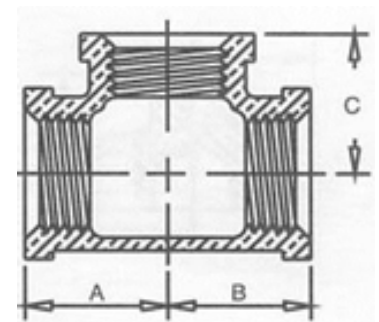
DIRECTING THE FLOW OF *Quality*

DIMENSIONAL SPECIFICATIONS

LEADED IMPORT BRASS FITTINGS** 125 LB.

REDUCING TEE CONTINUED

Part #	Size (IN.)	Approx. Net WT. (LB.)	A	B	C
X106-242408	1-1/2 X 1-1/2 X 1/2	1.11	1.32	1.32	1.53
X106-242412	1-1/2 X 1-1/2 X 3/4	1.23	1.42	1.42	1.60
X106-242416	1-1/2 X 1-1/2 X 1	1.31	1.55	1.55	1.72
X106-242420	1-1/2 X 1-1/2 X 1-1/4	1.52	1.72	1.72	1.81
X106-323208	2 X 2 X 1/2	1.65	1.50	1.50	1.88
X106-323212	2 X 2 X 3/4	1.87	1.47	1.47	1.84
X106-323216	2 X 2 X 1	1.91	1.59	1.59	1.95
X106-323220	2 X 2 X 1-1/4	2.15	1.77	1.77	2.04
X106-323224	2 X 2 X 1-1/2	3.08	1.89	1.89	2.07
X106-404016	2-1/2 X 2-1/2 X 1	4.07	1.88	1.88	2.38
X106-404032	2-1/2 X 2-1/2 X 2	4.07	2.39	2.39	2.60
X106-484832	3 X 3 X 2	4.36	2.52	2.52	2.89
X106-484840	3 X 3 X 2-1/2	5.50	2.83	2.83	2.99
X106-646432	4 X 4 X 2	7.59	2.75	2.75	3.41



****WARNING:** This product contains chemicals known to the state of California to cause cancer and birth defects or other reproductive harm.
****NOTE:** This product is not for use in potable water applications and contains a chemical known to cause birth defects or reproductive harm.

MERIT BRASS

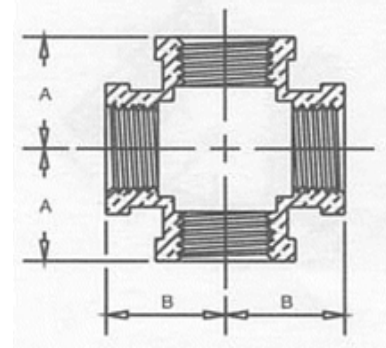
DIRECTING THE FLOW OF *Quality*

DIMENSIONAL SPECIFICATIONS

LEADED IMPORT BRASS FITTINGS** 125 LB.

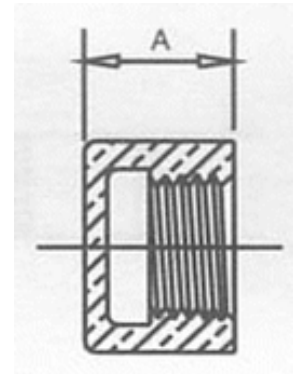
CROSS

Part #	Size (IN.)	Approx. Net WT. (LB.)	A	B
X110-02	1/8	0.13	0.54	0.54
X110-04	1/4	0.20	0.71	0.71
X110-06	3/8	0.29	0.82	0.82
X110-08	1/2	0.43	1.01	1.01
X110-12	3/4	0.68	1.18	1.18
X110-16	1	1.08	1.43	1.43
X110-20	1-1/4	1.70	1.69	1.69
X110-24	1-1/2	1.97	1.84	1.84
X110-32	2	2.52	2.12	2.12
X110-40	2-1/2	5.73	2.70	2.70



CAP

Part #	Size (IN.)	Approx. Net WT. (LB.)	A
X116-02	1/8	0.04	0.49
X116-04	1/4	0.07	0.59
X116-06	3/8	0.09	0.66
X116-08	1/2	0.13	0.78
X116-12	3/4	0.22	0.84
X116-16	1	0.40	1.00
X116-20	1-1/4	0.48	1.13
X116-24	1-1/2	0.72	1.16
X116-32	2	1.11	1.34
X116-40	2-1/2	1.75	1.72
X116-48	3	2.71	1.81
X116-64	4	3.76	2.09



****WARNING:** This product contains chemicals known to the state of California to cause cancer and birth defects or other reproductive harm.
****NOTE:** This product is not for use in potable water applications and contains a chemical known to cause birth defects or reproductive harm.

MERIT BRASS

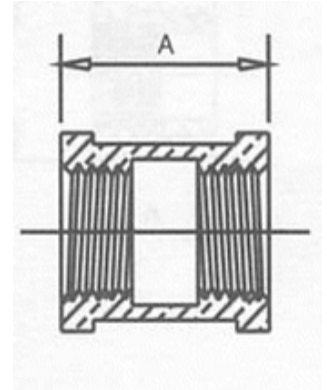
DIRECTING THE FLOW OF *Quality*

DIMENSIONAL SPECIFICATIONS

LEADED IMPORT BRASS FITTINGS** 125 LB.

COUPLING

Part #	Size (IN.)	Approx. Net WT. (LB.)	A
X111-02	1/8	0.06	0.80
X111-04	1/4	0.10	0.80
X111-06	3/8	0.14	1.05
X111-08	1/2	0.19	1.29
X111-12	3/4	0.29	1.43
X111-16	1	0.45	1.68
X111-20	1-1/4	0.56	1.86
X111-24	1-1/2	1.03	1.92
X111-32	2	1.06	2.20
X111-40	2-1/2	2.77	2.88
X111-48	3	2.75	3.18



**WARNING: This product contains chemicals known to the state of California to cause cancer and birth defects or other reproductive harm.

**NOTE: This product is not for use in potable water applications and contains a chemical known to cause birth defects or reproductive harm.

**MERIT
BRASS**

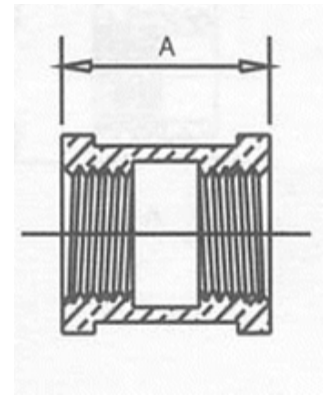
DIRECTING THE FLOW OF *Quality*

DIMENSIONAL SPECIFICATIONS

LEADED IMPORT BRASS FITTINGS** 125 LB.

REDUCING COUPLING

Part #	Size (IN.)	Approx. Net WT. (LB.)	A
X112-0604	3/8 X 1/4	0.12	0.92
X112-0806	1/2 X 3/8	0.17	1.17
X112-1206	3/4 X 3/8	0.24	1.35
X112-1208	3/4 X 1/2	0.26	1.35
X112-1612	1 X 3/4	0.45	1.56
X112-2012	1-1/4 X 3/4	0.67	1.77
X112-2408	1-1/2 X 1/2	0.85	1.80
X112-2412	1-1/2 X 3/4	0.92	1.80
X112-2416	1-1/2 X 1	0.90	1.80
X112-2420	1-1/2 X 1-1/4	0.99	1.80
X112-3216	2 X 1	1.39	2.03
X112-3220	2 X 1-1/4	1.05	2.03
X112-4024	2-1/2 X 1-1/2	1.94	3.25
X112-4032	2-1/2 X 2	2.11	3.25
X112-4832	3 X 2	2.40	3.69
X112-4840	3 X 2-1/2	3.01	3.69
X112-6432	4 X 2	3.40	4.38
X112-6448	4 X 3	4.58	4.38



****WARNING:** This product contains chemicals known to the state of California to cause cancer and birth defects or other reproductive harm.
****NOTE:** This product is not for use in potable water applications and contains a chemical known to cause birth defects or reproductive harm.

**MERIT
BRASS**

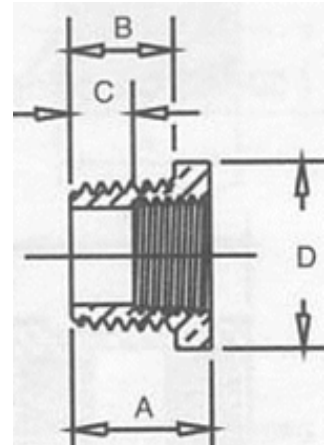
DIRECTING THE FLOW OF *Quality*

DIMENSIONAL SPECIFICATIONS

LEADED IMPORT BRASS FITTINGS** 125 LB.

HEX BUSHING

Part #	Size (IN.)	Approx. Net WT. (LB.)	A	B	C	D
X114-0602	3/8 X 1/8	0.10	0.64	0.48	0.39	0.69
X114-0604	3/8 X 1/4	0.10	0.64	0.48	0.24	0.69
X114-0802	1/2 X 1/8	0.10	0.75	0.56	0.50	0.88
X114-0804	1/2 X 1/4	0.09	0.75	0.56	0.43	0.88
X114-0806	1/2 X 3/8	0.07	0.75	0.56	0.34	0.88
X114-1202	3/4 X 1/8	0.19	0.88	0.63	0.25	1.16
X114-1204	3/4 X 1/4	0.17	0.85	0.63	0.53	1.16
X114-1206	3/4 X 3/8	0.16	0.85	0.63	0.49	1.16
X114-1208	3/4 X 1/2	0.11	0.85	0.63	0.32	1.16
X114-1604	1 X 1/4	0.30	1.05	0.75	0.73	1.44
X114-1606	1 X 3/8	0.22	1.05	0.75	0.69	1.13
X114-1608	1 X 1/2	0.21	1.00	0.75	0.57	1.13
X114-1612	1 X 3/4	0.24	1.00	0.75	0.50	1.13
X114-2008	1-1/4 X 1/2	0.47	1.14	0.80	0.71	1.34
X114-2016	1-1/4 X 1	0.39	1.08	0.80	0.47	1.78



**WARNING: This product contains chemicals known to the state of California to cause cancer and birth defects or other reproductive harm.
**NOTE: This product is not for use in potable water applications and contains a chemical known to cause birth defects or reproductive harm.

**MERIT
BRASS**

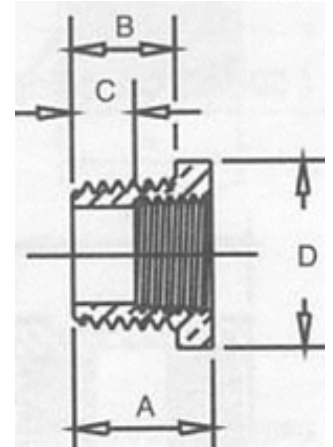
DIRECTING THE FLOW OF *Quality*

DIMENSIONAL SPECIFICATIONS

LEADED IMPORT BRASS FITTINGS** 125 LB.

HEX BUSHING CONTINUED

Part #	Size (IN.)	Approx. Net WT. (LB.)	A	B	C	D
X114-2406	1-1/2 X 3/8	0.45	1.14	0.81	0.57	1.78
X114-2412	1-1/2 X 3/4	0.50	1.20	0.83	0.70	1.63
X114-2416	1-1/2 X 1	0.65	1.14	0.83	0.56	2.00
X114-2420	1-1/2 X 1-1/4	0.43	1.14	0.83	0.43	2.00
X114-3208	2 X 1/2	1.10	1.31	0.88	0.88	1.34
X114-3212	2 X 3/4	1.15	1.31	0.88	0.81	1.63
X114-3220	2 X 1-1/4	0.87	1.22	0.88	0.55	2.50
X114-3224	2 X 1-1/2	0.81	1.22	0.88	0.52	2.50
X114-4016	2-1/2 X 1	1.76	1.53	1.09	0.94	1.97
X114-4020	2-1/2 X 1-1/4	1.67	1.53	1.09	0.84	2.97
X114-4032	2-1/2 X 2	1.21	1.44	1.07	0.69	2.41
X114-4824	3 X 1-1/2	2.44	1.63	1.13	0.91	3.50
X114-4832	3 X 2	1.70	1.61	1.13	0.86	3.50
X114-4840	3 X 2-1/2	1.69	1.53	1.13	0.61	3.88



**WARNING: This product contains chemicals known to the state of California to cause cancer and birth defects or other reproductive harm.
**NOTE: This product is not for use in potable water applications and contains a chemical known to cause birth defects or reproductive harm.

**MERIT
BRASS**

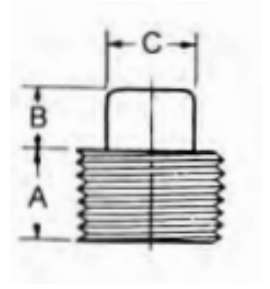
DIRECTING THE FLOW OF *Quality*

DIMENSIONAL SPECIFICATIONS

LEADED IMPORT BRASS FITTINGS** 125 LB.

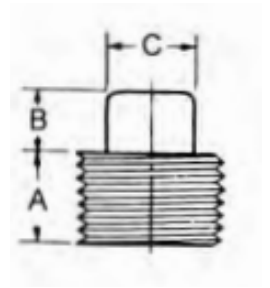
SQUARE HEAD CORED PLUG

Part #	Size (IN.)	Approx. Net WT. (LB.)	A	B	C
X117-08	1/2	0.09	0.54	0.38	0.56
X117-12	3/4	0.17	0.55	0.44	0.63
X117-16	1	0.26	0.69	0.50	0.81
X117-20	1-1/4	0.38	0.71	0.56	0.94
X117-24	1-1/2	0.52	0.73	0.62	1.13
X117-32	2	0.83	0.76	0.68	1.31
X117-40	2-1/2	1.26	1.07	0.74	1.50
X117-48	3	1.49	1.13	0.80	1.69
X117-64	4	3.41	1.22	0.92	2.25



SQUARE HEAD SOLID PLUG

Part #	Size (IN.)	Approx. Net WT. (LB.)	A	B	C
X117A-04	1/4	0.10	0.27	0.24	0.28
X117A-06	3/8	0.06	0.41	0.31	0.44
X117A-08	1/2	0.12	0.54	0.38	0.56
X117A-12	3/4	0.18	0.55	0.55	0.63
X117A-16	1	0.35	0.69	0.50	0.81
X117A-20	1-1/4	0.56	0.71	0.56	0.94
X117A-24	1-1/2	0.80	0.73	0.62	1.13
X117A-32	2	1.28	0.76	0.68	1.31
X117A-40	2-1/2	2.35	1.07	0.74	1.50
X117A-48	3	3.59	1.13	0.80	1.69
X117A-64	4	6.82	1.22	0.92	2.25



**WARNING: This product contains chemicals known to the state of California to cause cancer and birth defects or other reproductive harm.
 **NOTE: This product is not for use in potable water applications and contains a chemical known to cause birth defects or reproductive harm.

MERIT
BRASS

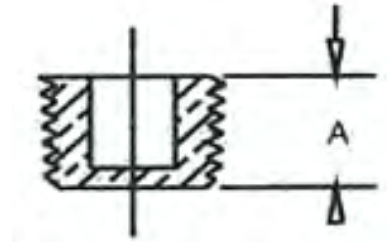
DIRECTING THE FLOW OF *Quality*

DIMENSIONAL SPECIFICATIONS

LEADED IMPORT BRASS FITTINGS** 125 LB.

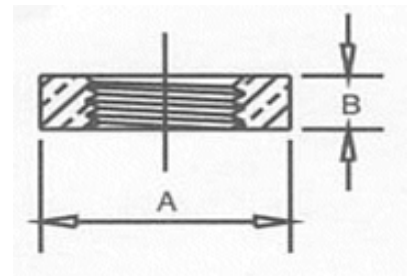
SQUARE COUNTERSUNK PLUG

Part #	Size (IN.)	Approx. Net WT. (LB.)	A
X118-08	1/2	0.22	0.54
X118-12	3/4	0.38	0.55
X118-16	1	0.47	0.69
X118-20	1-1/4	0.72	0.71
X118-24	1-1/2	1.06	0.73
X118-32	2	1.52	0.76



HEX LOCKNUT

Part #	Size (IN.)	Approx. Net WT. (LB.)	A	B
X119-02	1/8	0.02	0.88	0.25
X119-04	1/4	0.03	0.88	0.25
X119-06	3/8	0.04	1.00	0.28
X119-08	1/2	0.10	1.28	0.31
X119-12	3/4	0.13	1.50	0.28
X119-16	1	0.20	1.75	0.34
X119-20	1-1/4	0.29	2.09	0.38
X119-24	1-1/2	0.52	2.44	0.41
X119-32	2	0.64	2.94	0.47



**WARNING: This product contains chemicals known to the state of California to cause cancer and birth defects or other reproductive harm.
**NOTE: This product is not for use in potable water applications and contains a chemical known to cause birth defects or reproductive harm.

**MERIT
BRASS**

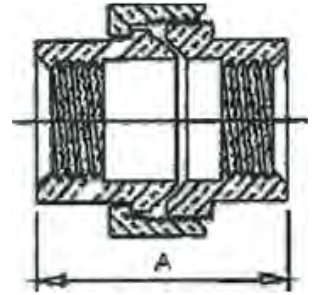
DIRECTING THE FLOW OF *Quality*

DIMENSIONAL SPECIFICATIONS

LEADED IMPORT BRASS FITTINGS** 125 LB.

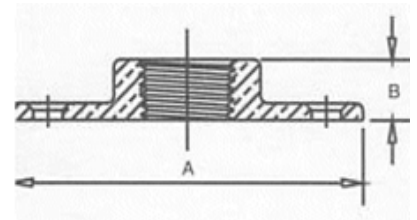
UNION

Part #	Size (IN.)	Approx. Net WT. (LB.)	A
X187-04	1/4	0.22	1.25
X187-06	3/8	0.38	1.48
X187-08	1/2	0.47	1.56
X187-12	3/4	0.72	1.87
X187-16	1	1.06	2.11
X187-20	1-1/4	1.52	2.34
X187-24	1-1/2	2.09	2.65
X187-32	2	3.12	2.96



FLOOR FLANGE

Part #	Size (IN.)	Approx. Net WT. (LB.)	A	B
X240-08	1/2	0.65	3.52	0.55
X240-12	3/4	0.70	3.52	0.62
X240-16	1	0.89	4.02	0.70
X240-20	1-1/4	0.94	4.02	0.76
X240-24	1-1/2	1.24	4.53	0.89
X240-32	2	1.71	5.54	1.00



**WARNING: This product contains chemicals known to the state of California to cause cancer and birth defects or other reproductive harm.
**NOTE: This product is not for use in potable water applications and contains a chemical known to cause birth defects or reproductive harm.

**MERIT
BRASS**

DIRECTING THE FLOW OF *Quality*